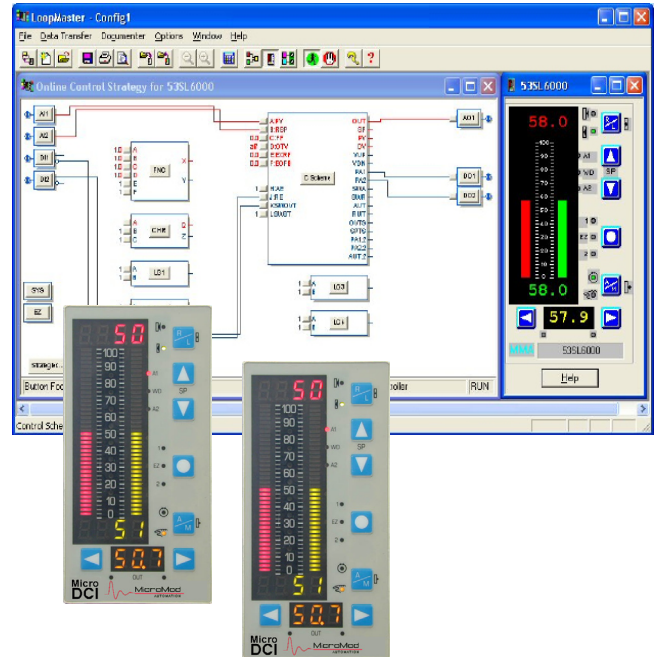


Micro-DCI™ LoopMaster 53HC2600A Configuration Software for Micro-Mite 53SL6000 Controllers

- **Windows Operating Environment**
- **Graphic-based, Function Block configuration**
- **Ready-Made Configuration Logic Diagrams**
- **Simultaneous configuration and documentation**
- **Context-Sensitive Help**
- **Library of pre-configured, standard strategies**
- **On-line and Off-line configuration**
- **Includes Micro-DCI Communications Services with OPC capability**



The LoopMaster 53HC2600 is a PC-based configuration documentation package for the 53SL6000 Micro-Mite controller. It provides a Windows-based environment for creating, editing, downloading, uploading, documenting and debugging controller databases. The graphical, function block configuration environment makes it easy to relate the process flow to the configuration. LoopMaster is equipped with easy to use windows and menus designed to flow intuitively from the start of a project to its completion.

Graphical, Intuitive Interface

LoopMaster provides graphical, configuration-logic style diagrams for configuration. It allows you to draw the desired control strategy by drawing lines between inputs and outputs of the function blocks.

Self-Documenting

Micro-Mite configuration documentation is generated automatically as you build your configuration.

On-line and Off-line Configuration

The user can configure Micro-mite controllers in real time over a Micro-DCI DataLink network using RS-232 or RS-485. Databases can be created and modified off-line for later download as well as uploaded from a controller for modification, backup and/or transfer to another controller.

Library of standard strategies

The library includes 8 control strategy templates that can be used as-is or edited to suit the need of the user.

Context sensitive on-line help

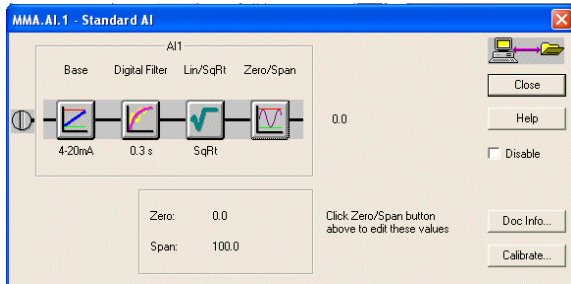
Available for virtually every screen and function, help screens cover the tools as well as the controller. And step-by-step, on-screen guidance is provided for key function blocks.

Ready-Made Configuration Logic Diagrams

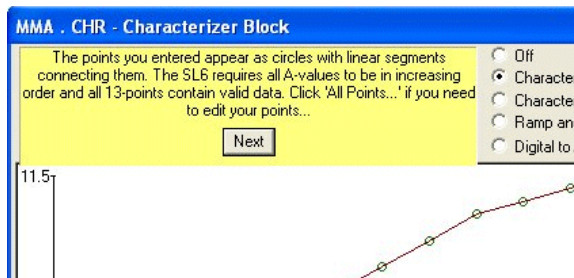
Every strategy has a configuration logic drawing that shows the connections between Micro-Mite function blocks, such as Analog Input 1, Analog Input 2, the Controller Algorithm, and the Analog Output. Customizing the strategy is as easy as clicking on the function block.

Easy Parameter Definition

Clicking on a function block button opens up a pop-up window for viewing and changing parameters. For example, clicking on the AI1 block opens a window to specify the base for the input (0 or 4 mA), select a filtering constant, pick linear or square root, and enter zero and span.

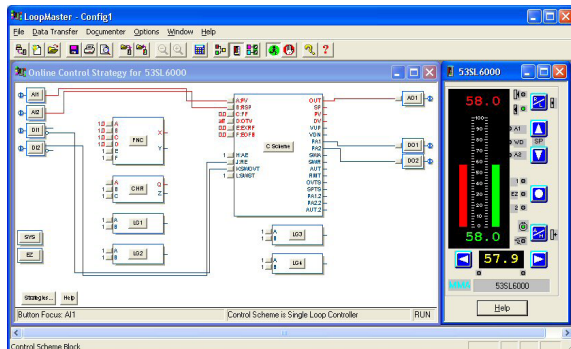


Step-by-step configuration guidance is provided in standard process control terminology for key function blocks.



Direct Access to Controller Faceplate

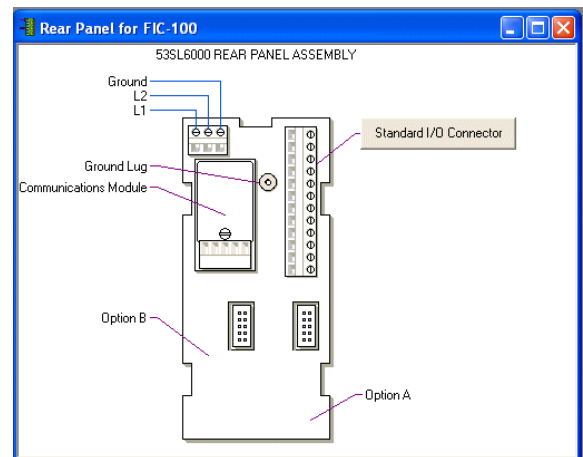
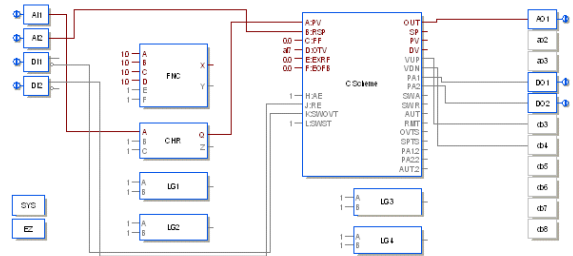
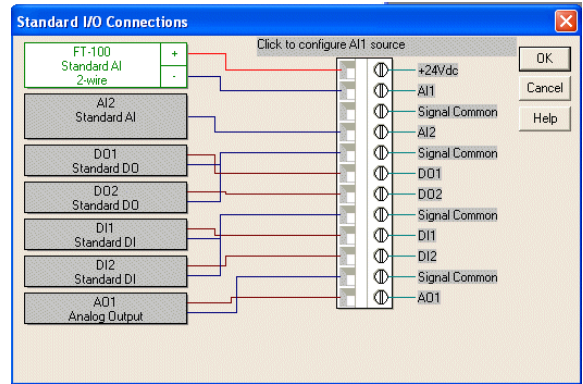
During online configuration a live window mimics the controller faceplate and shows live process values. Clicking on one of the buttons in the window is the same as pushing a key on the controller. Any changes made at the controller faceplate are reflected in the software window.



Automatic Documentation

Database documentation generated quickly and easily with a few clicks of the mouse. The configuration logic diagram, a terminal block layout with user-configured I/O labels and the list of parameter values are all created automatically by the software.

Automatically Generated Configuration Reports



ORDERING INFORMATION

LoopMaster is a licensed package. The following end-user information must be supplied with each order:

End-user company name & complete address
 Telephone and fax number
 Contact name

| Model Code | 53HC26 | — | — | A | — | — |
|---|---------|--------|----|----|----|----|
| | 01 - 06 | 07 | 08 | 09 | 10 | 11 |
| LoopMaster Configuration Software for 53SL6000 Controller for Windows 2000, Windows XP Professional and Windows 7 Pro | | 53HC26 | | | | |
| Version Type | | | | | | |
| Standalone | | 1 | | | | |
| Add-On (for systems with existing Security Device/copy protection key) ¹ | | 2 | | | | |
| Security Key Type | | | | | | |
| None (for adding to systems with existing Security Device/copy protection key) | | | X | | | |
| Parallel Port | | | 0 | | | |
| USB Port | | | 1 | | | |
| Design Level | | | | A | | |
| Communications Interface² | | | | | | |
| None | | | | | 0 | |
| RS-232 (Cable only: 9-Pin D to SL6 RS-232 Module) | | | | | 1 | |
| RS-232 (Cable and Communications Module) | | | | | 2 | |
| RS-485 (Cable and RS-232/485 Interface Terminal Board) | | | | | 3 | |
| Media Type | | | | | | |
| CD-ROM | | | | | | 2 |

Computer Requirements

The minimum requirements for running the 53HC2600 LoopMaster software are:

- 120 mA or higher Pentium Processor
- 48 MB RAM
- 10 MB Free Hard Disk Space
- 600 x 800 Resolution Display
- 1 RS232 Serial Port
- 1 Parallel Port or USB Port
- CD-ROM Drive (Software provided on CD)
- Operating system Microsoft Windows™ XP Professional 32-bit, Windows™ Vista Business, 32-bit Microsoft Windows 7 or 8 Professional 32-bit or 64-bit

¹Add-on version is for use on PCs already running Micro-PWC 53PW6000 or Micro-DCI Communications Services 53SU6000. The customer must supply the ID number from the Sentinel Hardware Security Device supplied with the Micro-PWC or Micro-DCI Communications Services.

²Communication Interface Options

Option (1) RS-232 Cable Only:

Use this option to connect a single controller that already has an RS-232 Communications Module Option installed.

Option (2) RS-232 Cable and Communications Module:

Use this option to connect to a single controller that does not have an RS-232 Communications Module Option. An RS-232 Communications Option module (682A552U02) is included for installation on the controller.

Option (3) RS-485 Cable and RS-232/485 Interface Terminal Board:

Use this option when connecting to a network of 1 to 32 controllers which already have RS-485 interface modules. An RS-232 to RS-485 Interface Terminal Board (686B720U01) is supplied along with a 7 foot long cable for connecting the interface to the computer. The user must supply wiring between the RS-232/485 Interface Terminal Board and the first controller and between controllers.

Additional Communication Option Information:

Selecting the correct communication module and cable to be used between a PC running 53HC26000 LoopMaster software and the 53SL6000 Micro-Mite controller the cable type depends on the communications being used.

If Communications Module = RS-232, order cable 698B239U01

If Communications Module = RS-485, order cable 172M100U02

An RS-232/485 converter and USB-to-Serial adaptor are included with the LoopMaster software.

The Company's policy is one of continuous product improvement and the right is reserved to modify the information contained herein without notice.

Printed in USA July 2013

© MicroMod Automation, Inc. 2004



www.micromod.com

MicroMod Automation & Controls, Inc.
3 Townline Circle
Rochester, NY 14623-2537 USA
Tel: (585) 321-9200
Toll Free: 1-800-480-1975
Fax: (585) 321-9291
Email: sales@micromod.com