

MicroTorque

Electric Rotary Actuator

High precision & high accuracy without the high pricetag

True continuous duty with built-in thermal protection

Reduced equipment wear

Lower maintenance costs

- 450 positions through 90°
- $\pm 0.1^\circ$ accuracy
- 16-second travel time
- 100% Duty
- Rotation-reversible with the push of a button
- Adaptive control eliminates position deadband
- Electric braking feature reduces wear
- Easy 3-button setup makes commissioning simple & easy
- Duty Cycle Protection prevents long shutdown periods & eliminates damage to actuator motor components



The MicroTorque electric rotary actuator is specially designed to provide high resolution, high-accuracy positioning for valves and dampers. At last, you can reap the true benefits of your high-performance process controllers without paying the price for a high-performance actuator.

The MicroTorque has twice the resolution of commonly used pneumatic smart positioners, and as much as ten times the resolution of conventional electrical positioners. It allows standard ball or butterfly valves to be used in place of V-ball or globe valves in many modulating applications.

The MicroTorque's adaptive control algorithms and electric braking feature allow it to quickly hit the set point with out overshoot, increasing accuracy and reducing hunting which leads to better process control, less wear and less maintenance.

The patented control circuitry allows our actuator to bridge the gap between the larger high priced actuators on the market and less accurate economy models. The Duty Cycle Protection prevents thermal overload while providing excellent torque and response time.

Standard Features

- 400 in/lbs torque
- 450 Positions through 90°
- $\pm 0.1\%$ Accuracy
- 100% Duty Cycle
- Configurable 4-20mA, 1-5V, 0-5V, 0-10V Input
- 2 Auxiliary Limit Switches
- Field-Adjustable Stroke from 30° to 270°
- Push-button setup & zero/span adjust
- Automatic Duty Cycle Protection
- Stall Detect & Thermal Overload Protection
- Loss-of-signal & Out-of-range Signal Detection
- Electronic Braking
- Failsafe Position Configuration (Open, Closed, Last Position)
- Automatic Polarity Detection
- All metal gearing for rugged service and long life
- NEMA 4 / IP66 enclosure
- ISO-5211 Mounting Configuration - accommodates F03, F05 and F07 mounting patterns

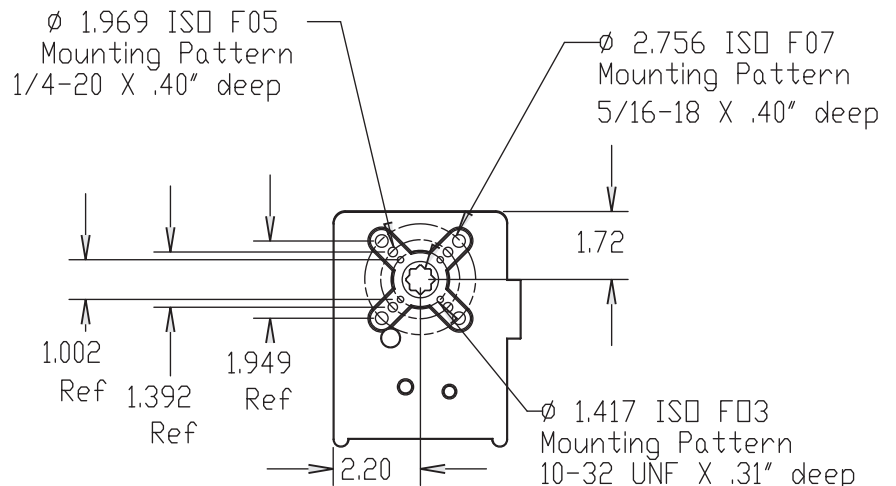
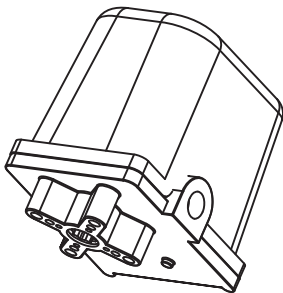
Available Options

Field-interchangeable, plug-in options allow easy modification of the actuator's functionality

- 4-20mA Feedback Transmitters, with or without Loop Power
- 0-135 Ω Resistance (Slidewire) Input Module
- RS-485 Modbus® RTU Communication
- Relay Output Module
- Internal heater
- Additional Mounting Configurations
- Valve Mounting Brackets

*Don't Sacrifice
Performance for Price.*

Your Process Deserves Better.



Modbus® is a registered trademark of Schneider Electric licensed to the Modbus Organization, Inc.